

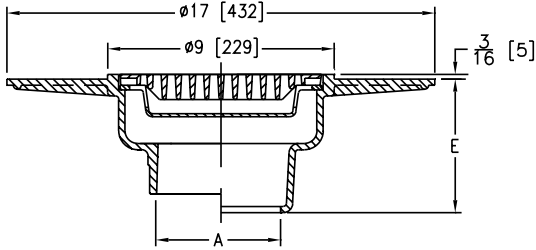
## Z530 9" MEDIUM-DUTY WIDE FLANGE DECK DRAIN



### ENGINEERING SPECIFICATION

Zurn Z530 9" diameter wide flange deck drain for latex decks features Dura-Coated cast iron body with latex troweling flange, flat heel-proof, medium-duty grate, and suspended sediment bucket.

A Pipe Size inch [mm]	Grate Open Area sq in [cm <sup>2</sup> ]	Approximate Weight lb [kg]
2 [51], 3 [76], 4 [102]	18 [116]	49 [22]



PREFIXES	DESCRIPTION	PIPE SIZE	LIST PRICE
Z530*	D.C.C.I. Body and Top	2", 3", 4"	864.00

### OUTLETS (SPECIFY PIPE SIZE IN INCHES AND TYPE OF OUTLET)

OUTLET TYPE	PIPE SIZE/OUTLET TYPE	E BODY HT. DIM.	ADD	
IC	Inside Caulk	2IC, 3IC, 4IC	5-1/2"	N/C
IP	Threaded	2IP, 3IP, 4IP	4"	80.00
NL	Neo-Loc	2NL, 3NL, 4NL	4-3/4"	N/C

### SUFFIXES

SUFFIXES	DESCRIPTION	LIST PRICE
-AR	Acid Resisting Epoxy Coated Cast Iron	764.00
-C	Underdeck Clamp	228.00
-DG	Duresist Grate	217.00
-G	Galvanized Cast Iron	678.00
Ⓢ -TC	Neo-Loc Test Cap Gasket (2", 3", 4" NL Bottom Outlet Only)	24.00
-TS	Top Secured with Slotted Screws	129.00
-VP	Vandal-Proof Secured Top	149.00
-XJ	Expansion Joint (Use with IP Type Outlet) (See Z190)	-

### BEST SELLERS

ITEM	LIST PRICE
Z530-3NH	864.00
Z530-3NL	864.00

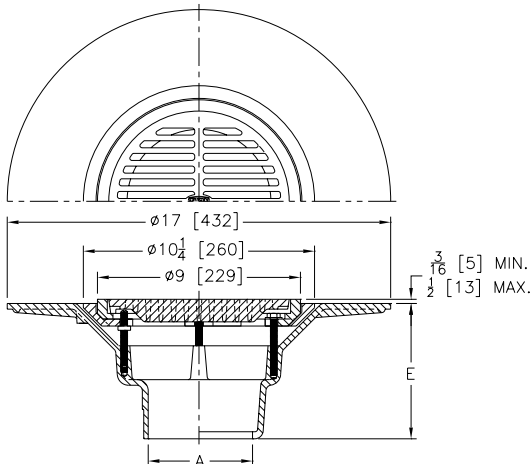
## Z531 9" ADJUSTABLE FRAME WIDE FLANGE MEDIUM-DUTY DECK DRAIN



### ENGINEERING SPECIFICATION

Zurn Z531 9" diameter adjustable frame wide flange deck drain features Dura-Coated cast iron body with 10-1/4" diameter latex troweling flange and combination adjustable latex troweling-edge-form and membrane flashing clamp with flat medium-duty grate.

A Pipe Size inch [mm]	Grate Open Area sq in [cm <sup>2</sup> ]	Approximate Weight lb [kg]
2 [51], 3 [76], 4 [102]	18 [116]	54 [24]



PREFIXES	DESCRIPTION	PIPE SIZE	LIST PRICE
Z531*	D.C.C.I. Body and Top	2", 3", 4"	1,396.00

ZN531	D.C.C.I. Body with Polished Nickel Bronze Top	2", 3", 4"	1,896.00
-------	---	------------	----------

### OUTLETS (SPECIFY PIPE SIZE IN INCHES AND TYPE OF OUTLET)

OUTLET TYPE	PIPE SIZE/OUTLET TYPE	E BODY HT. DIM.	ADD	
IC	Inside Caulk	2IC, 3IC, 4IC	6"	N/C
IP	Threaded	2IP, 3IP, 4IP	4-1/2"	80.00
NH	No-Hub	2NH, 3NH, 4NH	6"	N/C
NL	Neo-Loc	2NL, 3NL, 4NL	5-3/8"	N/C

### SUFFIXES

SUFFIXES	DESCRIPTION	LIST PRICE
-C	Underdeck Clamp	165.00
-DG	Duresist Grate	171.00
-G	Galvanized Cast Iron	703.00
-S	Secondary Strainer	47.00
Ⓢ -TC	Neo-Loc Test Cap Gasket (2", 3", 4" NL Bottom Outlet Only)	24.00
-TS	Top Secured with Slotted Screws	129.00
-VP	Vandal-Proof Secured Top	149.00
-Y	Sediment Bucket	140.00

### BEST SELLERS

ITEM	LIST PRICE
Z531-3NH	1,396.00
ZN531-3NH-TS	2,025.00
Z531-4NH	1,396.00

Supplied By:



877-903-7246

www.commercialplumbingsupply.com

\*Regularly furnished unless otherwise specified.

Items designated as Best Sellers are most specified and are generally in stock for shipment.

Ⓢ This symbol denotes a product that is engineered to reduce installation and rework time.

For additional product information, please visit [www.zurn.com](http://www.zurn.com)